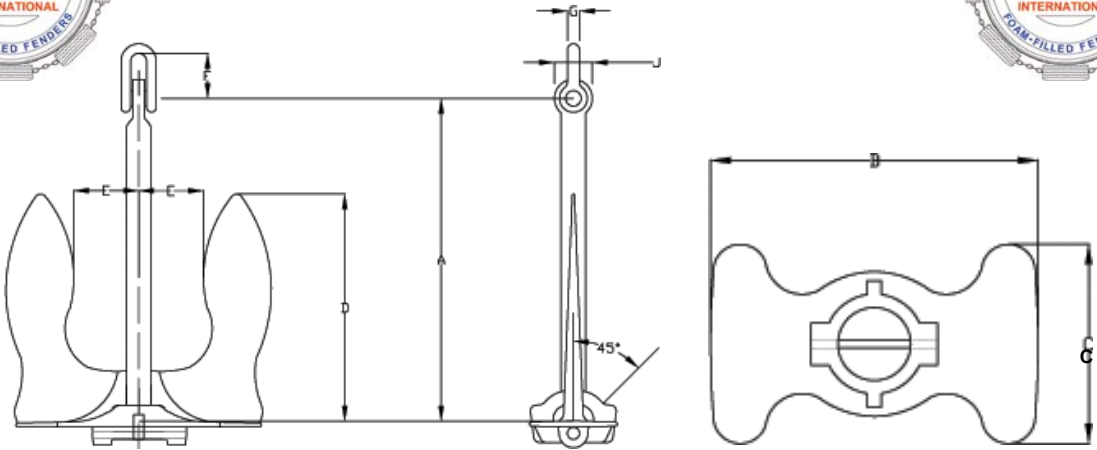




MARINE FENDERS INTERNATIONAL, INC.



STOCKLESS ANCHORS

Anchor Weight	Head Number	Shank Number	A	B	C	D	E	F	G	H	J	Proof Test
200	2	2	27	18	9-1/2	15-1/8	5-1/8	3-3/4	1	3-11/16	4	8300
300	4	3	32	23-1/4	11-11/16	17-1/4	6-11/16	3-3/4	1	3-11/16	4-1/2	10900
400	6	3	32	25-3/4	13	19	7	3-3/4	1	3-11/16	4-1/2	13000
500	8	4	35	26-1/2	14	20	7	4-5/8	1-1/4	4-17/32	5-1/2	15000
700	12	5	38	29-1/2	15-5/8	23-1/2	8-1/8	4-5/8	1-1/4	4-17/32	5-3/4	19600
775	13	5	38	32	16-7/8	24-3/4	8-5/8	4-5/8	1-1/4	4-17/32	5-3/4	20050
900	15	7	42	32	17	24	9	5-11/16	1-1/2	5-3/8	6-1/2	22300
1000	16	7	42	33-5/8	18	25-1/8	9-3/4	5-11/16	1-1/2	5-3/8	6-1/2	24100
1260	18	8	46	36-3/8	18-3/4	28-3/8	9-7/8	7-7/8	2	7-1/4	6-3/4	28800
1430	20	9	49	39	20	28-7/8	10-3/4	7-7/8	2	7-1/4	7	31700
1540	21	9	49	40	20-1/2	30-1/2	11	7-7/8	2	7-1/4	7	33600
1600	22	9	49	40	20-1/2	30-1/2	11	7-7/8	2	7-1/4	7	34600
1750	23	10	52	41-1/2	21	33-1/4	11-3/8	7-7/8	2	7-1/4	7-1/4	37200
1875	24	10	52	43	22	34-3/4	12	7-7/8	2	7-1/4	7-1/4	39300
1950	25	10	52	43	22	34-3/4	12	7-7/8	2	7-1/4	7-1/4	40600
2100	26	12	58	44-3/4	23	33-3/8	12-1/8	7-7/8	2	7-1/4	7-1/2	43100
2500	28	12	58	44-3/4	23-1/4	33-3/8	12-1/8	7-7/8	2	7-1/4	7-1/2	49700
2800	30	12	58	48	25	35-7/8	13	7-7/8	2	7-1/4	7-1/2	54500
3000	31	14	64	47	25-1/2	36	12-3/4	9-3/8	2-1/2	9-1/8	8-3/4	57700
3500	33	14	64	52-3/4	27-1/2	37-1/2	14-1/4	9-3/8	2-1/2	9-1/8	8-3/4	65200
4000	35	15	70-5/8	53-1/4	27-1/2	39-1/4	14-1/2	9-3/8	2-1/2	9-1/8	9-1/2	72600
4500	37	15	70-5/8	56-3/4	29	42	15	9-3/8	2-1/2	9-1/8	9-1/2	79700
5000	39	18	76	57-1/2	30	42	15-5/8	10-1/8	3	11	10-1/4	86500
6000	43	18	76	63-1/2	33-1/4	47	17-1/4	10-1/8	3	11	10-1/4	99100
6300	44	18	76	63-1/2	33-1/4	47	17-1/4	10-1/8	3	11	10-1/4	102500
6500	45	20	82	63-1/2	33	47-5/8	17-1/4	10-1/8	3	11	10-3/4	105000
6750	46	20	82	65	33-3/4	48-3/4	17-5/8	10-1/8	3	11	10-3/4	108000
7000	47L	20	82	66-5/8	34-3/4	49-3/4	18	10-1/8	3	11	10-3/4	110500
7600	48	20	82	67-1/2	34-3/4	49-3/4	18-3/8	10-1/8	3	11	10-3/4	117000
8100	49	22	93-1/2	66-1/4	34-1/4	48-7/8	18-1/4	10-1/8	3-1/2	12-1/4	11-1/2	122500
8600	50	22	93-1/2	68-1/2	35-3/4	50-1/2	18-1/2	12-3/8	3-1/2	12-1/4	11-1/2	127500
9000	51	23	96	70-1/4	36-3/8	51-3/4	19-1/8	12-3/8	3-1/2	12-1/4	11-1/2	131500
10000	53L	24	96	75-1/2	39	58	21	19	4	14-3/4	12	140500
11000	53H	24	96	75-1/2	39	58	21	19	4	14-3/4	12	148500
12000	56L	24	96	76-2/3	40	58	20-3/4	19	4	14-3/4	12	156000
13000	56	26	98	76-3/4	40	58	20-3/4	19	4	14-3/4	12	163500
14000	59	27	103	80-1/2	44	60	22-1/4	19	4	14-3/4	13	170500
15000	60	28	103	86	46	65	24	19	4	14-3/4	13	177000
16000	62	30	108	86	46	65	24	19	4	14-3/4	13	185000
18000	64	32	112	88-1/4	48-1/4	65-5/8	24-3/4	22	4-1/2	16-3/4	13	200000
18900	64H	32	112	88-1/4	48-1/4	65-5/8	24-3/4	22	4-1/2	16-3/4	13	20720
20000	66	34	112	96	50	72	26	22	4-1/2	16-3/4	14	214000
25000	67	35	120	103	53-3/4	77-1/2	28	22	4-1/2	16-3/4	15	243000
30000	69	37	128	110	57-1/4	82-1/2	29-7/8	24	5	18-3/4	16	266000
35000	70	38	135	116	60	87	31-1/2	25	5	19	17	292000
40000	71	39	140	121	63	91	32	26	5-1/2	20	17-1/2	320000
45000	72	40	147	126	65	94	34	27	5-1/2	21	18	345500
50000	73	41	152	131	68	99	35	28	6	21-1/2	19	371000