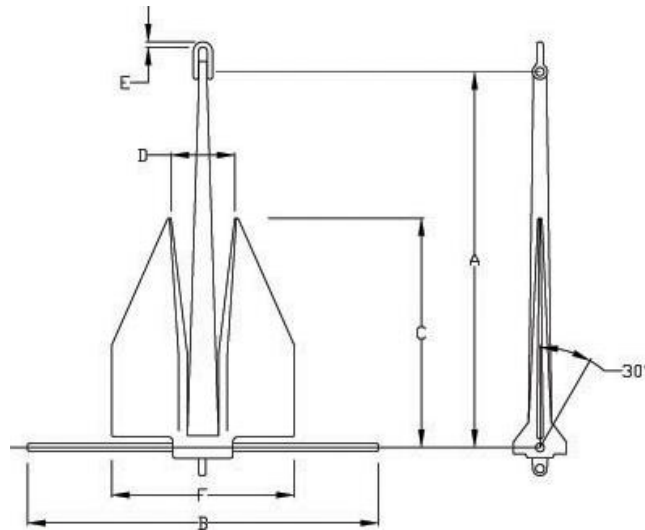




MARINE FENDERS INTERNATIONAL, INC.



WORKBOAT ANCHORS

Anchor Weight		A		B		C		D		E		F		Proof Test	
lb.	kg.	in.	mm.	in.	mm.	in.	mm.	in.	mm.	in.	mm.	in.	mm.	lb.	kg.
25	11	31.75	806	27.38	695	19.38	492	3.44	87	0.38	10	11.63	295	1,600	727
50	23	40.00	1,016	34.38	873	24.38	619	4.38	111	0.44	11	14.63	371	2,900	1,318
75	34	45.75	1,162	39.50	1,003	27.48	6,982	5.00	127	0.50	13	16.81	427	5,000	2,273
100	45	47.50	1,207	41.13	1,045	28.31	719	5.25	133	0.75	19	17.50	445	5,972	2,715
150	68	49.00	1,245	42.50	1,080	29.88	759	5.63	143	0.75	19	18.88	479	8,300	3,773
200	91	52.50	1,334	45.50	1,156	33.00	838	6.13	156	.875	22	21.50	546	10,100	4,591
300	136	56.00	1,422	48.50	1,232	35.25	895	13.50	343	1.125	29	23.25	591	13,000	5,909
400	182	58.00	1,473	50.00	1,270	39.56	1,005	13.88	352	1.125	29	24.13	613	15,600	7,091
500	227	63.00	1,600	54.50	1,384	39.75	1,010	15.13	384	1.5	38	26.25	667	18,100	8,227
750	341	67.50	1,715	58.50	1,486	42.50	1,080	16.50	419	1.5	38	28.25	718	24,100	10,955
1,000	455	72.00	1,829	62.00	1,575	45.38	1,153	18.75	476	2.00	51	30.00	762	30,000	13,636
1,500	682	77.00	1,956	70.88	1,800	48.50	1,232	19.38	492	2.00	51	32.00	813	41,400	18,818
2,000	909	83.00	2,108	71.75	1,822	52.00	1,321	22.63	575	2.5	64	35.75	908	52,300	23,773
2,500	1,136	89.00	2,261	84.50	2,146	56.00	1,422	13.38	340	2.5	64	36.50	927	62,270	28,305
3,000	1,364	94.00	2,388	89.00	2,261	59.00	1,499	14.38	365	3.00	76	38.88	987	72,500	32,955
3,500	1,591	99.00	2,515	94.00	2,388	62.50	1,588	15.13	384	3.00	76	48.38	1,229	81,800	37,182
4,000	1,818	104.00	2,642	98.75	2,508	65.50	1,664	15.38	391	3.00	76	41.25	1,048	90,700	41,227
5,000	2,273	112.00	2,845	106.50	2,705	70.50	1,791	18.00	457	3.375	86	45.25	1,149	107,000	48,636
6,000	2,727	118.00	2,997	112.00	2,845	74.00	1,880	18.63	473	3.75	95	47.50	1,207	121,300	55,136
8,000	3,636	129.00	3,277	122.50	3,112	77.38	1,965	20.25	514	4.125	105	52.06	1,322	145,600	66,182
10,000	4,545	138.00	3,505	131.00	3,327	87.00	2,210	21.88	556	4.5	114	55.88	1,419	165,600	75,273
12,000	5,455	145.00	3,683	145.00	3,683	91.00	2,311	23.00	584	4.75	121	58.75	1,492	184,700	83,955
14,000	6,364	152.00	3,861	152.00	3,861	95.75	2,432	24.00	610	5.00	127	61.63	1,565	205,000	93,182
16,000	7,273	160.00	4,064	160.00	4,064	101.00	2,565	25.25	641	5.25	133	64.88	1,648	222,700	101,227
20,000	9,091	172.00	4,369	163.00	4,140	108.38	2,753	27.25	692	5.625	143	69.50	1,765	249,400	113,364
30,000	13,636	197.00	5,004	187.00	4,750	112.00	2,845	31.25	794	6.50	165	80.50	2,045	319,400	145,182

Marine Fenders International, Inc.

• 909 Mahar Avenue • Wilmington • California • 90744 • USA

Telephone 1-310-834-7037 • Fax 1-310-834-7825 • E-mail: sales@marinefendersintl.com • www.marinefendersintl.com